

18x16x8 Inch Vented Weatherproof Enclosure, No Mounting Plate Model: NB181608-03V

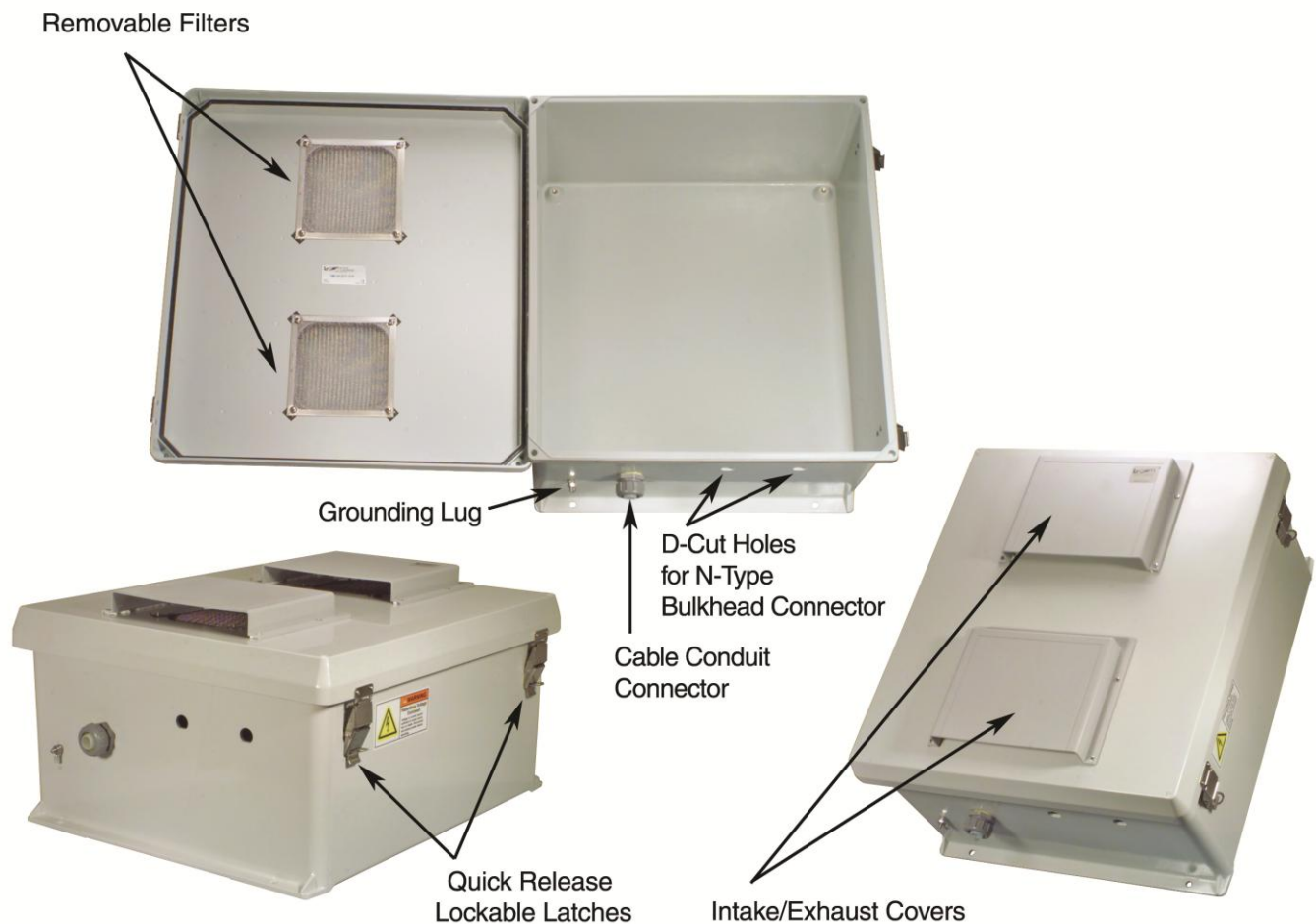
Applications and Features

Features:

- Molded Fiberglass Reinforced Polyester (FRP) industrial Enclosure
- Stainless steel quick release latches with padlock hasps
- NEMA Type 3R, 3RX / IP24 rated
- Fully gasketed raised Vented lid & integral mounting flange
- Basic enclosure Without mounting plate

Applications:

- Remote Wireless LAN WiFi equipment installations
- Indoor and outdoor installations
- Rapid Deployment Installations
- Corrosive environments & hotspot applications
- Protection of equipment from theft or damage



Product Description

Start with the Box...

The box is a rugged 18" x 16" x 8" weatherproof enclosure that is ideal for both indoor and outdoor applications. Constructed from molded fiberglass, it is well suited for high temperature or corrosive environments. The mounting flange allows it to be wall mounted as well as on a flat surface. The box can also be pole mounted with the optional pole mounting hardware kit. The fully gasketed lid features a stainless steel continuous hinge and stainless steel quick release latches with padlock hasps. The enclosure material is UV stabilized and comes in machine tool gray.

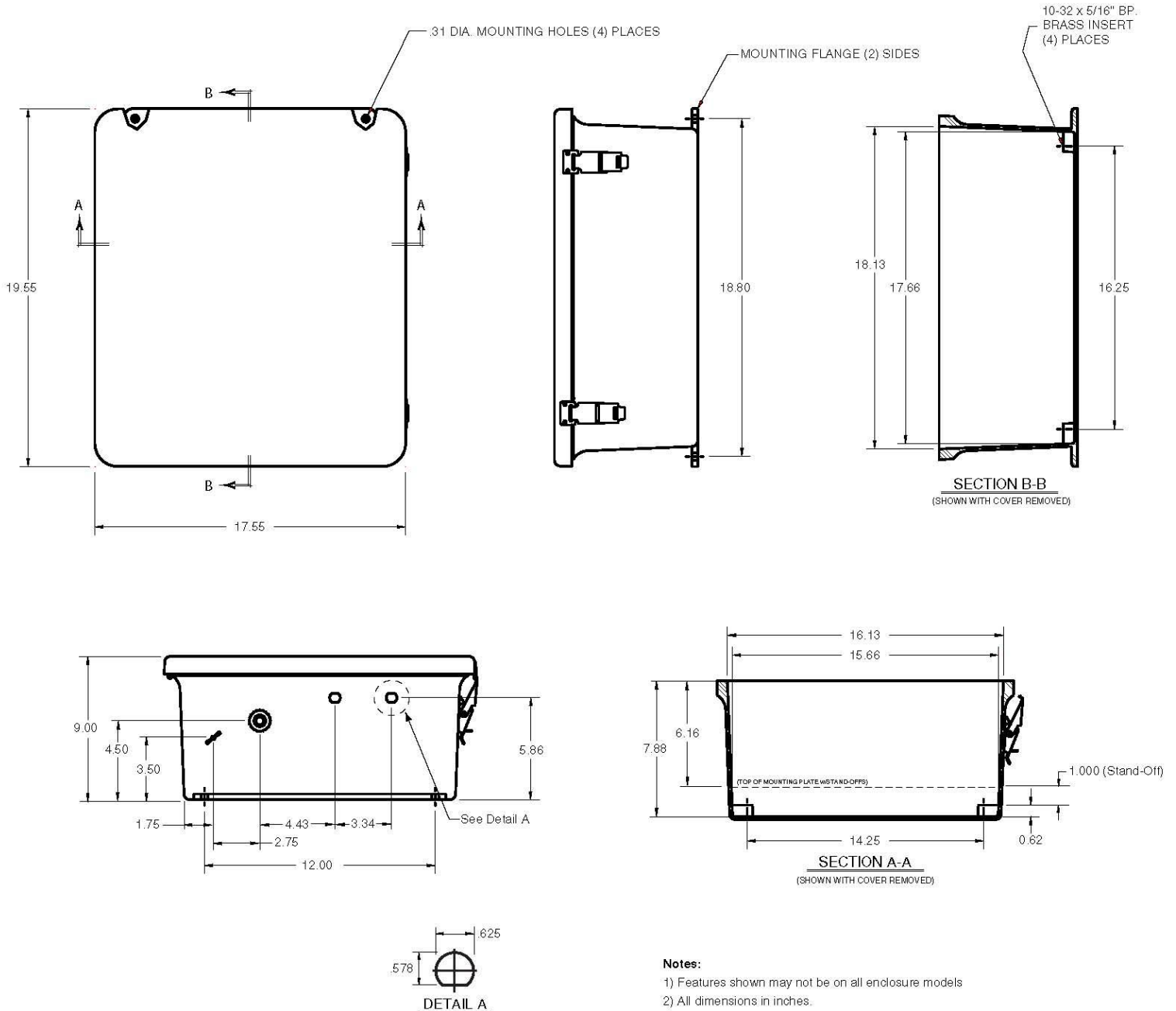
Vented Enclosure

The NB181608-03V features a vented lid with removable filters and vent covers on the outside of the enclosure.

Specifications

Enclosure Material	Fiberglass Reinforced Polyester
Enclosure Color	Machine Tool Gray
Mounting Plate Material	N/A
Weight	19.3 lbs (8.8 kg)
Outside Dimensions (max)	19.5 x 17.5 x 9 inches (49.5 x 44.4 x 22.8 cm)
Inside Dimensions	17.7 x 15.7 x 8.5 inches (44.9 x 39.9 x 21.6 cm)
Flame Rating	UL 94-5V
Cable Feed	1/2" Cable Conduit Connector
RoHS Compliant	Yes
Ratings	NEMA Type 3, 3R / IP24

Enclosure Dimensions



- Notes:**
- 1) Features shown may not be on all enclosure models
 - 2) All dimensions in inches.